



Office: 206-772-7800  
800-843-3332  
Fax: 206-772-6016

**Note: Finished Measurements are required for all enclosures.**

# HOLCAM WORKSHEET

## Worksheet To Accompany Order

Date:
Sales Person:
Store Name & Number:
P.O. #:
Phone:
Fax:
Customer Name:
Holcam Model Number:
Glass Type:
Handle Type:
Metal Finish:
Hinge – One way pattern glass only: <span style="float:right">Right or Left</span>
Hinge off panel: <span style="float:right">Yes or No</span>
Door height (listed in Price Catalog):

Visit [www.holcam.com/how-to-measure](http://www.holcam.com/how-to-measure) for measuring guides and videos

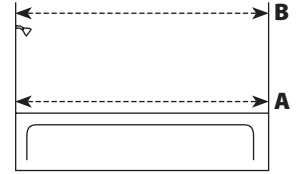
Base Price (clear glass, standard finish):	\$
OPTIONAL - Non Standard metal finish:	\$
OPTIONAL - Glass Protection:	\$
OPTIONAL - Glass Type (non-clear):	\$
OPTIONAL - Other add:	\$
OPTIONAL - Other add:	\$
<b>ECP (total):</b>	\$

Approved by Customer X: \_\_\_\_\_

Stall manufacturers model #: \_\_\_\_\_

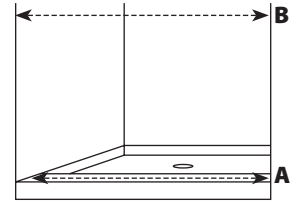
### Tub Enclosure

- A. Bottom Width (finished) \_\_\_\_\_
- B. Top Width (finished) \_\_\_\_\_



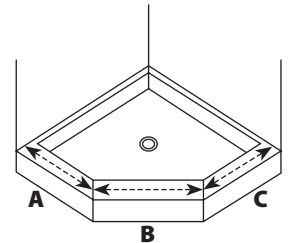
### Shower Stall Hinged Door/Panel, Slider, Bi-Fold

- A. Bottom Width (finished) \_\_\_\_\_
- B. Top Width (finished) \_\_\_\_\_



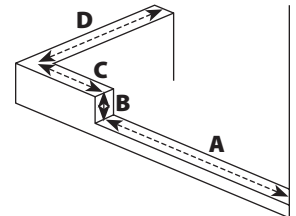
### Neo-Angle Shower Stall

- A. Panel Centerline \_\_\_\_\_
- B. Door Centerline \_\_\_\_\_
- C. Panel Centerline \_\_\_\_\_



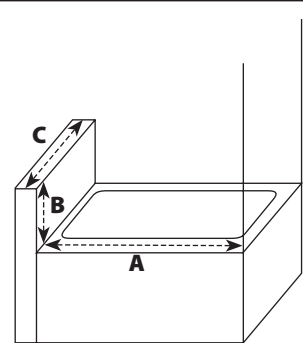
### Bath tub or shower stall with inline step and 90° corner /

- A. Sill Centerline \_\_\_\_\_
- B. Step Height \_\_\_\_\_
- C. Inline Centerline \_\_\_\_\_
- D. Return Centerline \_\_\_\_\_
- E. Step: Right or Left



### Bath Tub or Shower Stall with Step and 90° corner /

- A. Sill Centerline \_\_\_\_\_
- B. Step Height \_\_\_\_\_
- C. Return Panel Centerline \_\_\_\_\_
- D. Step: Right or Left



### Shower Stall with 90° Corner

- Door Centerline \_\_\_\_\_
- Specify Location of Door (A or B) \_\_\_\_\_
- Return Panel Centerline \_\_\_\_\_
- Specify Location of Panel (A or B) \_\_\_\_\_

